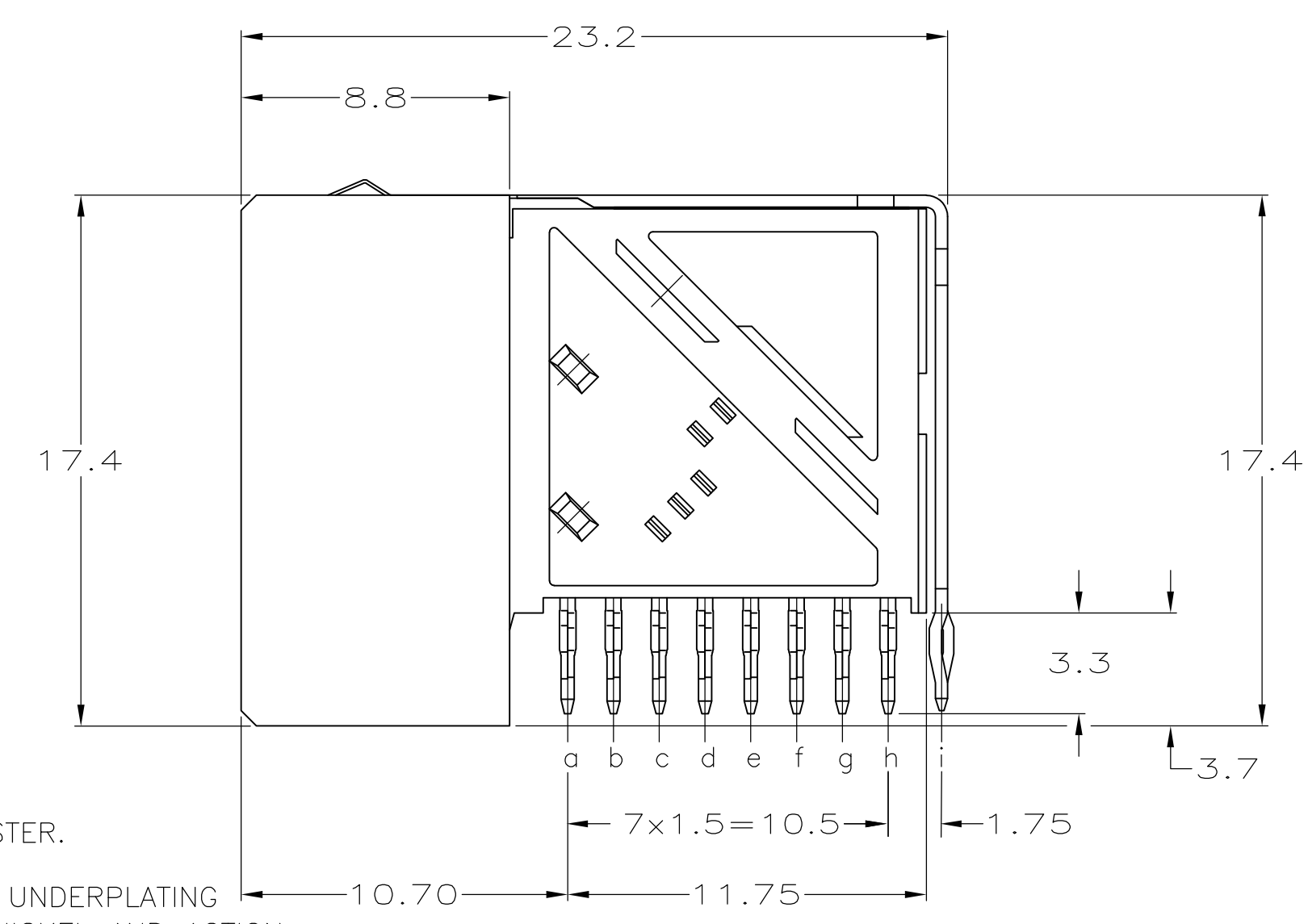
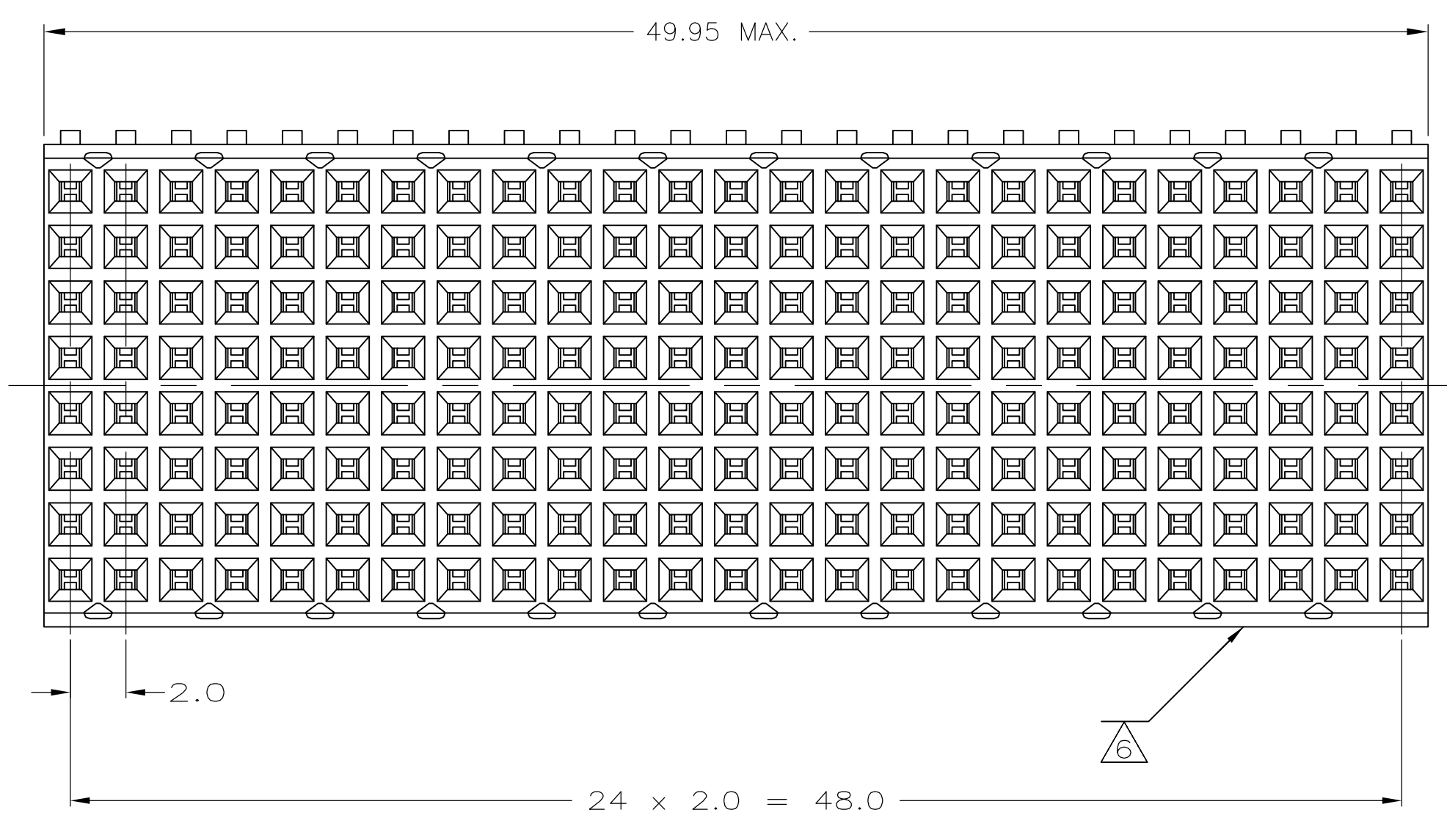
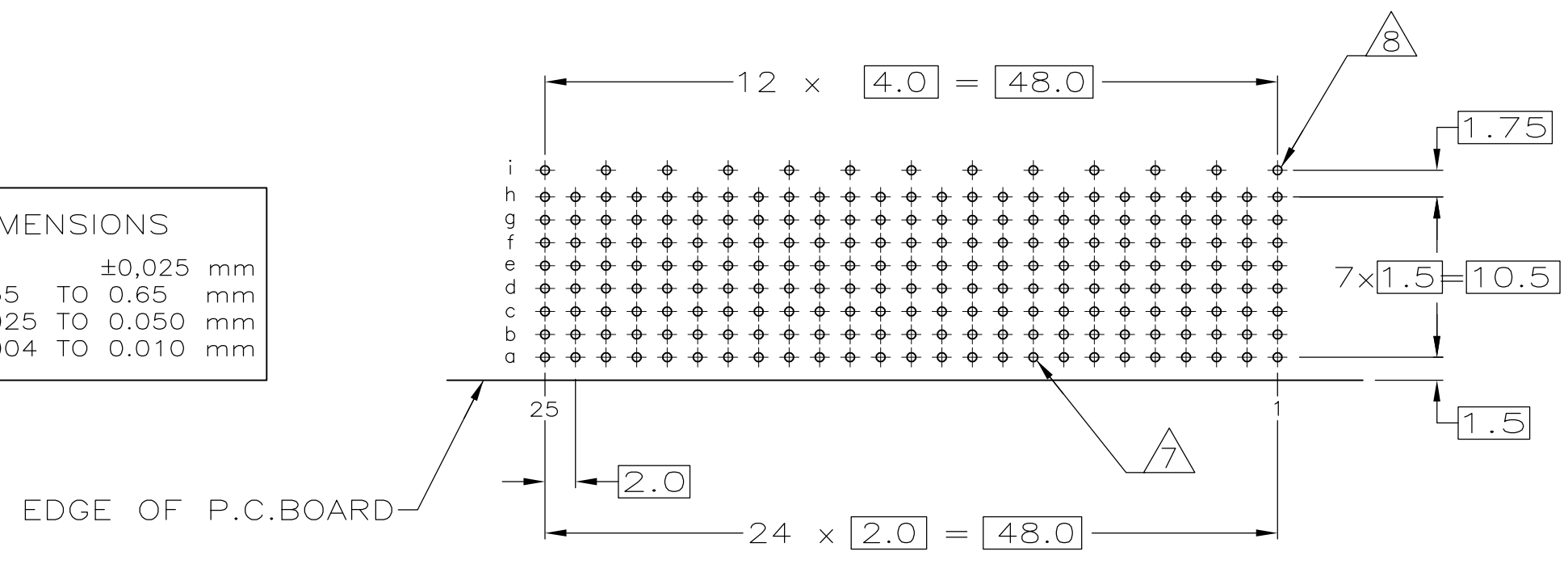


SECTION W-W



PCB HOLE DIMENSIONS		
DRILLED HOLE	0.7	±0.025 mm
FIN. HOLE	0.55 TO 0.65	mm
Cu-thks	0.025 TO 0.050	mm
SnPb-thks	0.004 TO 0.010	mm



RECOMMENDED PCB HOLE LAYOUT COMPONENT SIDE SCALE 2.5:1

- 1 MATERIAL:  
CONTACT: PHOSPHOR BRONZE.  
HOUSING: GLASS-FILLED POLYESTER.
- 2 GENERAL PLATING SPECIFICATION: UNDERPLATING (ENTIRE CONTACT): 1.27µm MIN NICKEL AND ACTION PIN: 0.5µm MIN TIN. FOR PLATING OF MATING SURFACES SEE APPLICABLE SPECIFICATION REFERENCE FOR EACH DASH NUMBER.
- 3 CONFORMS TO ALL TESTING ACCORDING TO IEC 61076-4-101 PERFORMANCE LEVEL 2.
- 4 CONNECTOR TESTED AND QUALIFIED AGAINST TELCORDIA GR-1217-CORE QUALITY LEVEL 3, CENTRAL OFFICE APPLICATIONS.
- 5 CONNECTOR TESTED AND QUALIFIED AGAINST TELCORDIA GR-1217-CORE QUALITY LEVEL 3, UNCONTROLLED ENVIROMENT APPLICATIONS.
- 6 CONNECTOR MARKED WITH PART NUMBER AND DATE CODE. ADDITIONAL CHARACTERS OR MARKINGS, AS WELL AS THE LOCATION OF THE MARKINGS, MAY BE ADDED FOR TRACEABILITY BASED UPON MANUFACTURERS DISCRETION.
- 7 PLATED-THROUGH HOLES AT 2x1.5mm GRID 200 TOTAL HOLES.
- 8 ROW "i" 13 PLATED THROUGH HOLES FOR UPPERSHIELD.
- 9 CONNECTOR & SHIELD LUBRICATED WITH BELCORE APPROVED LUBRICANT, TECHNICAL REFERENCE: TR-NWT-001217 ISSUE 1, SEP 1992.
- 10 SHIELD MOUNTED ON CONNECTOR WITH DOUBLE SIDED ADHESIVE TAPE OR ADHESIVE.
- 11 OBSOLETE PARTS: OBSOLETE CIS STREAMLINING PER D.RENAUD/D.SINISI
- 12 0.76µm MIN GOLD PLATING AT MATING SURFACE.
- 13 CONFORMS TO ALL TESTING ACCORDING TO IEC 61076-4-101 PERFORMANCE LEVEL 1.

2	13	5646487-4	
2	3	12	3-5646487-0
2	5	9	1-5646487-9
2	4	9	5646487-9
2	3		5646487-1
FINISH		PART NUMBER	

THIS DRAWING IS A CONTROLLED DOCUMENT.

DIMENSIONS: mm	TOLERANCES UNLESS OTHERWISE SPECIFIED:	DIN B. CARBO 28JUL05	APVD G. SKIPPER 28JUL05	NAME
0-PLC ±	1-PLC ±0.1			R/A RECEPTACLE ASSY, 200 POSN
2-PLC ±	3-PLC ±			Z-PACK 2mm HM, TYPE E
4-PLC ±	ANGLES ±			W/GROUND RETURN SHIELD
MATERIAL 1	FINISH SEE TABLE	WEIGHT	SIZE A1	CODE 00779
			SCALE 5:1	DRAWING NO. 5646487
			SHEET 1 of 1	REV D

CUSTOMER DRAWING